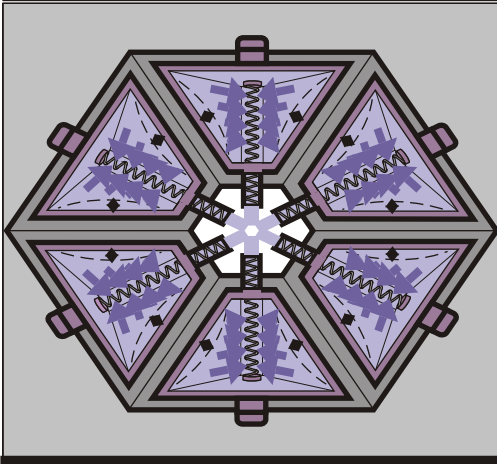


# Brabender Technologie

## FlexWall™plus Feeder



### Brabender's FlexWall™ Design

features the well-proven flexible polyurethane converging hopper with external massaging paddles. This produces a compact feeder suitable for virtually all bulk ingredients:

- ▶ Natural ingredient mass flow.
- ▶ Full activation of both polyurethane and extension hopper.
- ▶ Reduced compaction to eliminate bridging.
- ▶ Feeder hopper empties completely.



### **Plus....** a unique Trapezoid Design = Brabender's FlexWall™plus



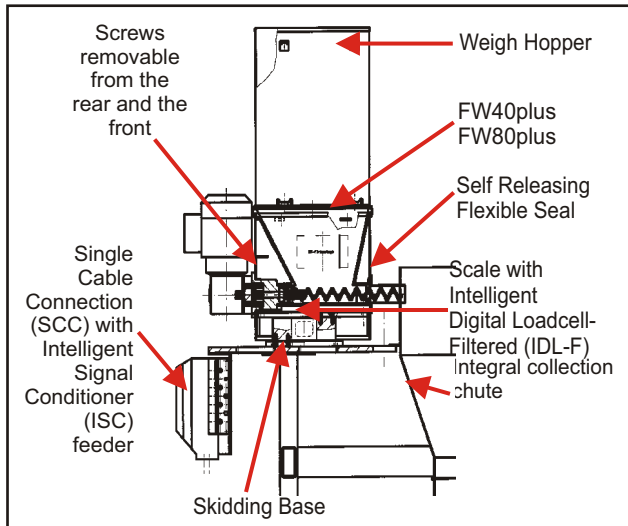
- ▶ Trapezoid shape further ensures elimination of bridging.
- ▶ Economical use of floor space when several feeders are arranged around a common discharge point.
- ▶ External motor on a swivel bracket.
- ▶ Screw assembly (screw, bearing, seals) remove easily from rear of feeder (and screw can also be removed from the front of the feeder).
- ▶ Paddle drive is independent of screw drive.
- ▶ Same footprint for loss-in-weight version (compact scale with IDL-F digital vibrating wire load cell).

# Easy to Operate Reliably, Easy to Access

## The FlexWall™plus Advantages - convenient, repeatable, reliable

- ▶ Carousel comprises 6 feeders with a central discharge.
- ▶ Carousel diameter with FW40 = 4 ft., FW80 = 7 ft.
- ▶ Screws easily removed from rear of feeder.
- ▶ Feeders are retractable on sliding base.
- ▶ Self releasing sealed process connection.
- ▶ Direct mounted scale using IDL-F load cell.

## The FlexWall™plus Design - compact, accessible, easy to maintain



## The FlexWall™plus Performance

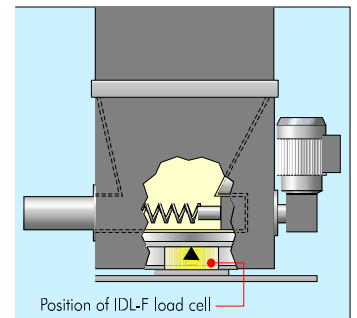
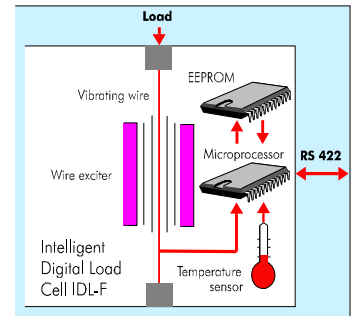
Two models are available; FW40 (max. screw dia. 1.6 ins.) and FW80 (max. screw dia. 3.2 ins.), that deliver feed rates from 0.5 to 180 cu.ft. per hour. The AC motors are speed controlled from a commercially available Variable Frequency Drive (VFD).



## Loss-in-Weight Version

The Brabender FlexWall™plus is also available in a gravimetric version.

A Brabender Intelligent Digital Loadcell-Filtered (IDL-C) is added and combined with either a Congrav™ microcomputer controller or an Intelligent Signal Conditioner (ISC). The ISC are feeder-mounted Brabender feed rate control modules that allow the feeder to be integrated to the Brabender Field Bus System. This combination delivers a fully digital high-tech loss-in-weight feeder which performs reliably and accurately in the most challenging environments.



Leading Manufacturer of Feeding, Weighing and Discharging Equipment  
with Over 50 Representative and Service Centers Worldwide.

### Headquarters:

Brabender Technologie KG  
Kulturstrasse 55-73  
D-47055 Duisburg, Germany

Tel: ++49 (0) 203-99 84-0  
Fax: ++49 (0) 203-99 84-155  
Web: [www.brabender-technologie.com](http://www.brabender-technologie.com)



### North American Headquarters:

Brabender Technologie Inc.  
6500 Kestrel Road  
Mississauga, Ontario, Canada L5T 1Z6

Tel: (888) 284-4574 (905) 670-2933  
Fax: (905) 670-2557  
Web: [www.brabenderti.com](http://www.brabenderti.com)