



Dust Control and Loading Systems Inc

Leaders in Innovative Bulk Loading Systems Design

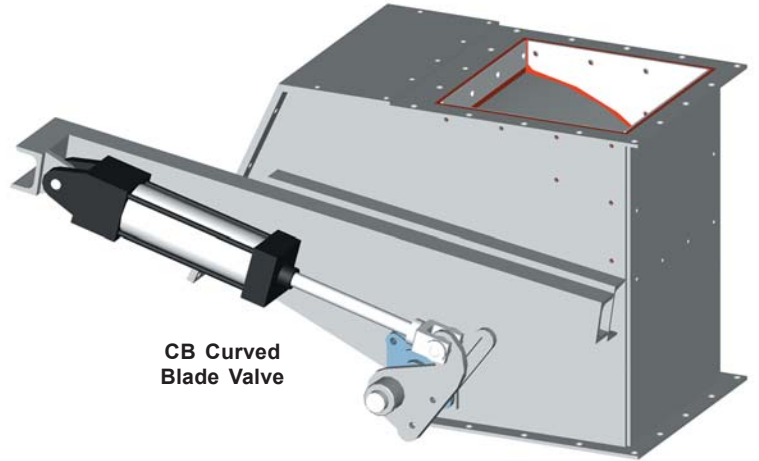
CB Curved Blade Valve

CURVED BLADE VALVE

DCL's Model CB Curved Blade Valves are designed to cut off product flow from outlets of storage bins, silos, conveyors, gravity flow chutes and other discharge points handling dry bulk materials.

These rugged heavy duty curved blade valves are available in standard sizes ranging from 6 inches to 36 inches square. Sizes larger than 36 inches, rectangular, and special configurations including hardened liners are available on a custom build basis.

A choice of construction materials allow handling of all types of products; fine, granular, abrasive, corrosive, and sanitary applications.



CB Curved Blade Valve



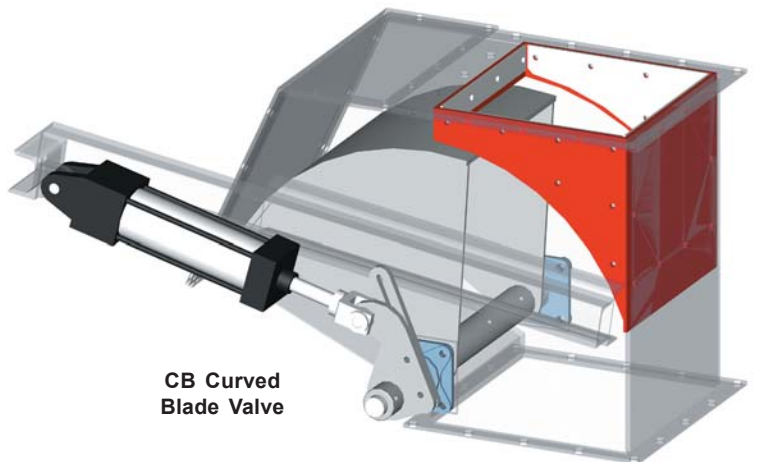
FEATURES

The CB Curved Blade Valves are fast acting, tight sealing, and very effective for regulating flow rates. The curved blade valve should only be used when handling fine or granular materials and not materials containing a large percentage of lumps.

The CB housing is constructed of plate steel with cross member supports on larger sizes. The reinforced curved blade pivots on two flanged bearings allowing it to open and close with ease. Actuation of Curved Blade Valves can be accomplished in many ways; pneumatically for fast action, hydraulically for power, electrically for precise positioning, and manually with a chain wheel or lever.

The seals on the Curved Blade Valve are designed to eliminate product leakage when the blade is in the shut off position. The seals are mounted to the CB housing instead of the blade allowing for easy access and replacement. Blade seals are selected according to the material being handled and are available to suit any application.

The seals on the Curved Blade Valve are designed to eliminate product leakage when the blade is in the shut off position. The seals are mounted to the CB housing instead of the blade allowing for easy access and replacement. Blade seals are selected according to the material being handled and are available to suit any application.



CB Curved Blade Valve

Po Box 125
08660 Ance Road

Dust Control and Loading Systems Inc
Charlevoix, Michigan 49720
www.dclinc.com or info@dclinc.com

Tele: 800-748-0563
Fax: 231-547-3343

PUBc-0502-CB

MODEL	A	B	C	D	E	F	G	H	EST WGT
CBV06	6.00	9.00	10.50	11.50	2	4.00	8.00	0.63	106 LB*
CBV08	8.00	11.00	14.50	13.50	2	5.00	10.00	0.63	161 LB*
CBV10	10.00	13.00	17.50	16.00	2	6.00	12.00	0.63	196 LB*
CBV12	12.00	15.00	20.50	18.00	2	7.00	14.00	0.63	268 LB*
CBV14	14.00	17.00	24.50	22.00	4	4.00	16.00	0.63	408 LB*
CBV16	16.00	20.00	27.50	25.00	4	4.50	18.00	0.63	509 LB*
CBV18	18.00	22.00	30.50	27.00	4	5.00	20.00	0.63	610 LB*
CBV24	24.00	28.00	40.75	34.00	4	6.50	26.00	0.63	1310 LB*
CBV30	30.00	36.00	49.75	42.00	5	6.75	33.75	0.63	C/F
CBV36	36.00	42.00	59.75	50.00	6	6.63	39.75	0.63	C/F

GENERAL NOTES:

HOUSING, BLADE, AND SEAL RETAINERS ARE MILD STEEL. ABRASION RESISTANT OR STAINLESS STEEL IS OPTIONAL.

AVAILABLE BLADE SEALS ARE URETHANE, SILICONE, VITON, OR HIGH-TEMPERATURE RUBBER BELTING. OTHER MATERIALS ARE AVAILABLE UPON REQUEST.

METAL SURFACES ARE POWER TOOL CLEANED, PRIMED, AND FINISHED WITH INDUSTRIAL ENAMEL.

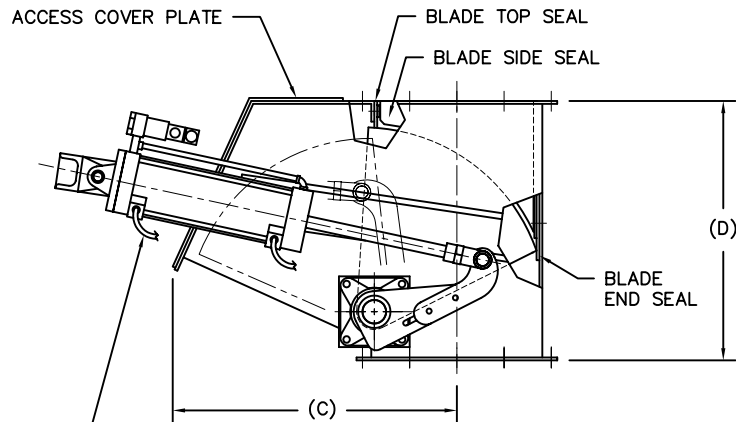
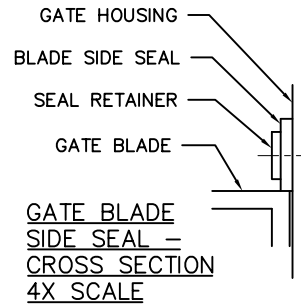
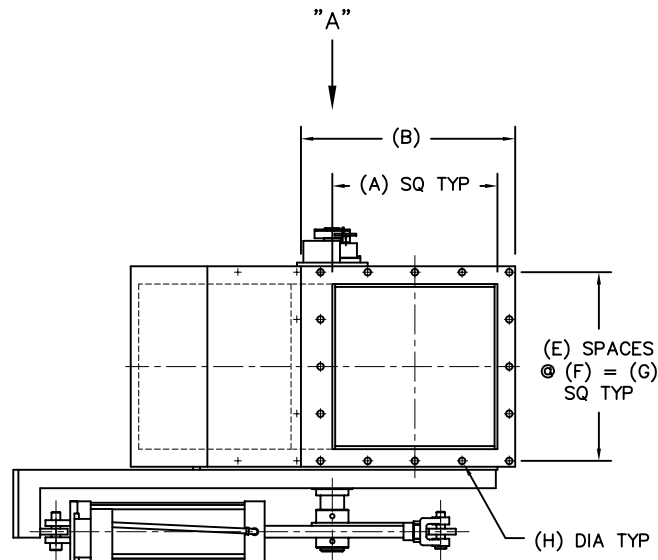
FULL-OPEN AND FULL-CLOSED LIMIT SWITCHES ARE OPTIONAL, AND ARE AVAILABLE IN NEMA 4, 4X, 7, AND 9.

LENGTH AND CAPACITY OF ACTUATOR TO BE DETERMINED UPON APPLICATION.

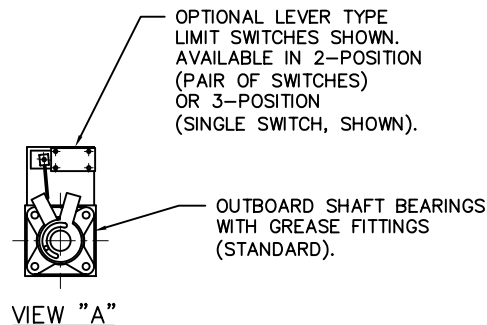
SPECIFICATIONS AND/OR DIMENSIONAL DATA ARE SUBJECT TO CHANGE. CONSULT DCL FOR CERTIFIED DRAWINGS.

C/F = CONSULT FACTORY

*ESTIMATED WEIGHTS DO NOT INCLUDE ACTUATOR OR ELECTRICAL COMPONENTS.



FULL-OPEN AND FULL-CLOSED LIMIT SWITCHES OPTIONAL. LEVER TYPE OR MAGNETIC REED TYPE (SHOWN).



REV	DATE	BY	DCL		SPECIALISTS IN ADVANCED DESIGN LOADING SYSTEMS		P.O. BOX 125 CHARLEVOIX, MICHIGAN 49720 (231) 547-5600	
			TOLERANCES UNLESS OTHERWISE SPECIFIED		FRACTIONAL: 1/16" DECIMAL: .06 ANGULAR: 1/2		DRAWN BY: TLC	SCALE: NONE
			CHECKED BY: ENG		DATE: 10-06-92		DRAWING No: CBV-10001	
A	01-30-02	TLC	TITLE CBV CURVED BLADE VALVE					