



Dust Control and Loading Systems Inc

Leaders in Innovative Bulk Loading Systems Design

# Loading Spout Positioners

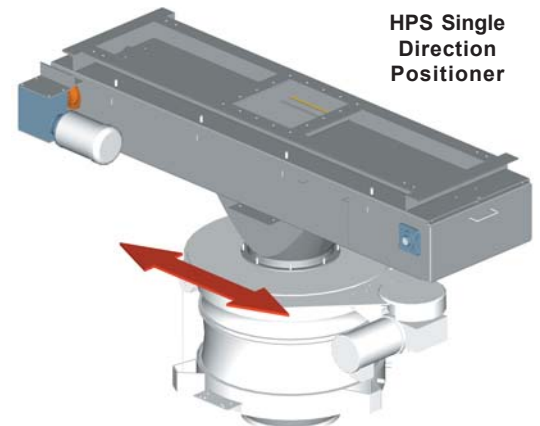
## LOADING SPOUT POSITIONERS

Loading spout positioners increase speed and efficiency in any loading operation. Positioners are used in conjunction with standard duty loading spouts at truck and railcar loadout facilities. Model HP positioners virtually eliminates vehicle re-spotting once in the loading station.

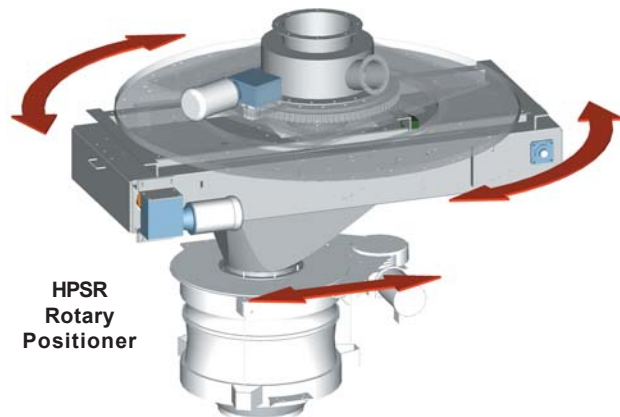
All HP models are available in vent-thru and non vent-thru styles. The vent-thru style eliminates the need of venting the spout below with cumbersome duct work. The dust is drawn through the spout and positioner and can be vented with typical duct work to a central dust collector or DCL model CFM compact filter module can also be mounted directly about the spout positioner to eliminate dust work completely. A choice of construction materials allow handling of all types of products; fine, granular, lumpy, abrasive, corrosive, and sanitary applications.

### HPS SINGLE DIRECTION POSITIONER

Single direction positioners are used to move standard duty loading spouts horizontally in the X axis when loading trucks or railcars. Single direction positioners allow the driver to stop the vehicle in the designated loading area without having to worry about being in the center of the loading station. The loading spout can then be positioned directly above of the vehicle hatch by moving it left or right. DCL offers a selection of single direction positioners that provide horizontal travels from 2 feet [610 mm] up to 6 feet [1.8 m].



HPS Single Direction Positioner



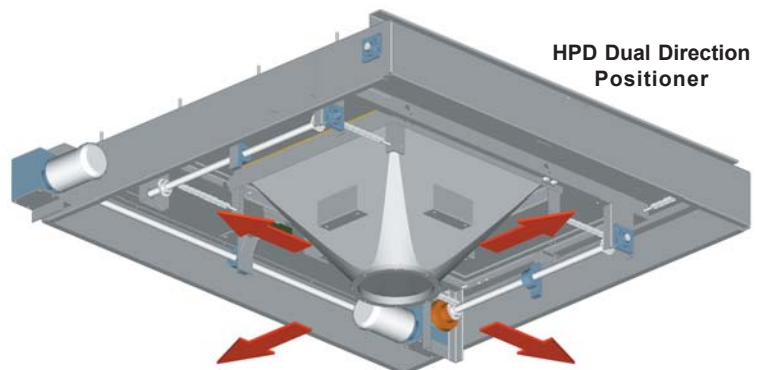
HPSR Rotary Positioner

### HPSR ROTARY POSITIONER

Rotary positioners are used to move standard duty loading spouts horizontally in a radial axis when loading trucks or railcars. Rotary positioners allow the driver to stop the vehicle in the designated loading area without having to be precise. The loading spout can then be positioned directly above of the vehicle hatch. DCL offers a selection of rotary positioners that provide radial horizontal travels from 4 feet [1.2 m] in diameter up to 12 feet [3.6 m] in diameter.

### HPD DUAL DIRECTION POSITIONER

Dual direction positioners are used to move standard duty loading spouts horizontally in the X and Y axis when loading trucks or railcars. Dual direction positioners allow the driver to stop the vehicle in the designated loading area without having to be precise. The loading spout can then be positioned directly above of the vehicle hatch. DCL offers a large selection of dual direction positioners that provide horizontal travels up to 6 feet [1.8 m] by 2 feet [610 mm].



HPD Dual Direction Positioner

Po Box 125  
08660 Ance Road

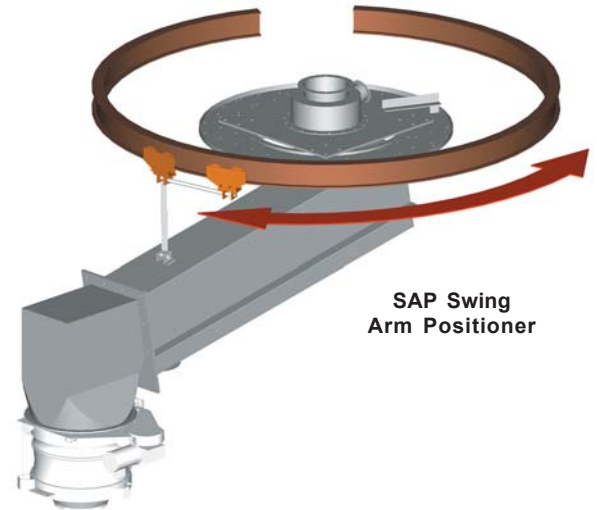
Dust Control and Loading Systems Inc  
Charlevoix, Michigan 49720  
www.dclinc.com or dcl-info@dclinc.com

Tele: 800-748-0563  
Fax: 231-547-3343

## SAP SWING ARM POSITIONER

Swing arm positioners are versatile and efficient. This positioner is ideal when vehicle clearance is a concern. The SAP has the ability to swing out of the way of the truck or railcar as it is entering the load bay. Once the vehicle has stopped the positioner can swing into its loading position. Swing arm positioners can also be configured to load multiple hatches and/or multiple railcars.

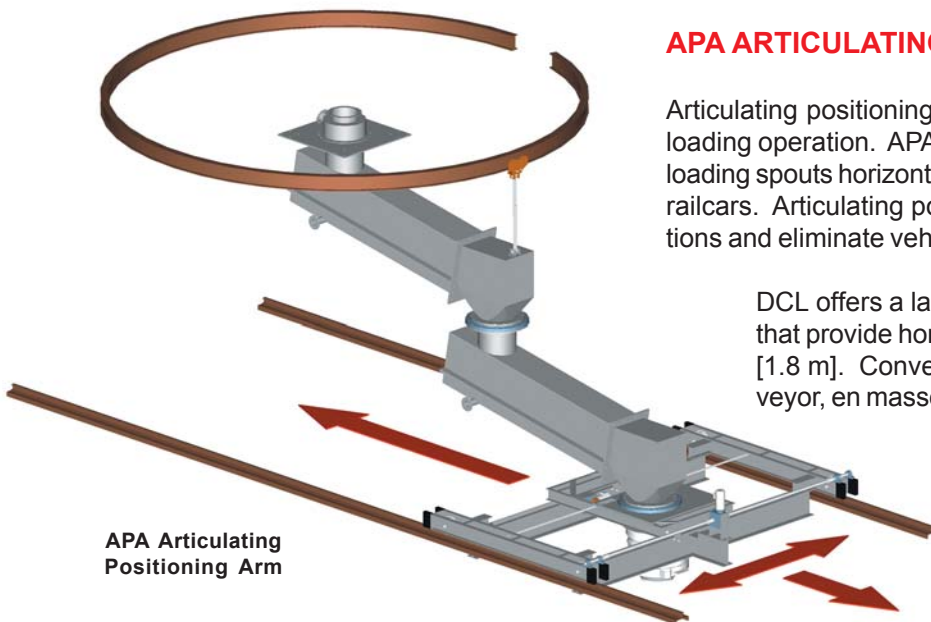
DCL offers a selection of swing arm positioners that provide a swing radius of up to 16 feet [4.1m]. Conveying arms can be provided as aeration conveyor, en masse, and screw conveyor configurations.



## APA ARTICULATING POSITIONING ARM

Articulating positioning arms increase speed and efficiency in any loading operation. APA positioners are used to move standard duty loading spouts horizontally in the X and Y axis when loading trucks or railcars. Articulating positioning arms facilitate multiple hatch locations and eliminate vehicle re-spotting once in the loading station.

DCL offers a large selection of articulating positioning arms that provide horizontal travels up to 60 feet [18.3 m] by 6 feet [1.8 m]. Conveying arms can be provided as aeration conveyor, en masse, and screw conveyor configurations.



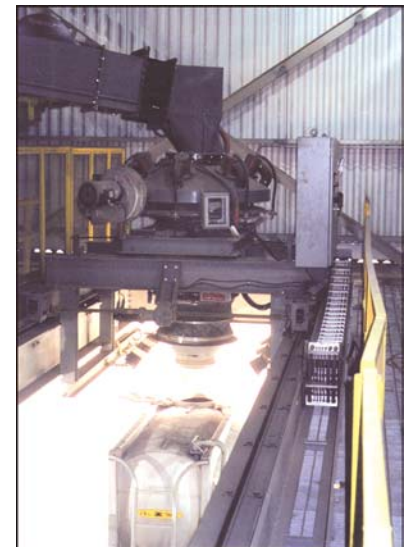
## SMARTLOADER

DCL is proud to announce its fully automatic, unattended bulk loading station for high speed filling of dry, dusty materials into enclosed vehicles.

The SmartLoader utilizes a patented vision system that scans the top of the vehicle. Any open hatch or series of open hatches are automatically located, measured, and qualified. The multispeed positioner provides a fast scanning speed to minimize loading cycle times.

A unique articulating positioning arm is used to move the loading spout within a designed loading area. A single spout can cover a loading area of up to 60 feet [18.3 m] by 6 feet [1.8 m] for center and side hatch railcars. A typical truck loading station would cover a loading area of 36 feet [11 m] by 2 feet [610 mm]. Dual direction positioners can also be utilized to keep costs down when semi truck trailers only are being loaded.

For more detailed information regarding the SmartLoader please see our case history brochure "Technology Breakthrough Fully Automated Loadout Terminal" PUBc-0602-CH03.



**SMART**  **LOADER**®